



air master
ISO 9001 CERTIFIED COMPANY

YEARS OF
25
EXCELLENCE



LIGHT TROFFER DIFFUSERS



www.airmasteremirates.com



INDEX

SECTION	TOPIC	PAGE
12.1	Single Side Light Troffer Diffusers	3
12.2	Top Inlet Double Side Light Troffer Diffusers ALTE-T	4
12.3	Top Inlet Double Side Light Troffer Diffusers ALTD-T	5
12.4	Dimensions, Installation Details & How to order	6
12.5	Performance Data	7

Cover Page Photo: Sahara Tower, Sheikh Zayed Road, Dubai.



CONSTRUCTION:

Frame: 22 or 20 Gauge galvanized steel sheet.

Spigot: Circular spigot of 125 or 150 mm dia with 75 mm length as standard. Square, rectangular and oval shaped spigots as optional.

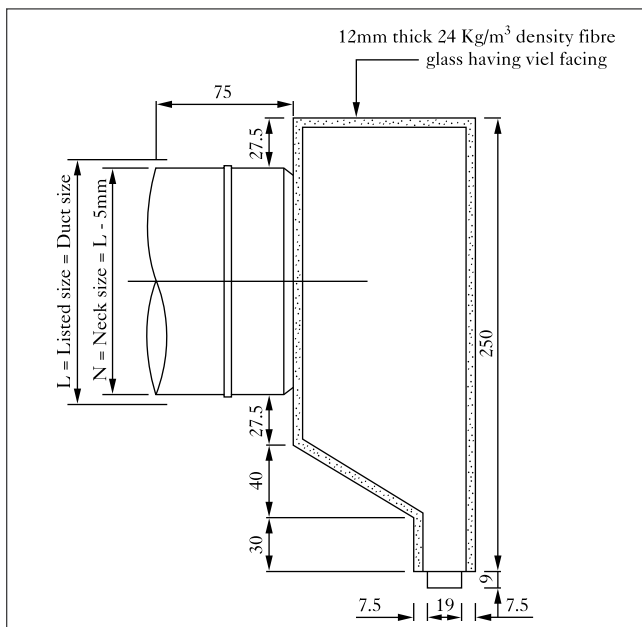
Optional accessories:

1. Volume control dampers.
2. With internal or external insulation.

Description:

- Constructed from 22 gauge galvanized steel sheet.
- Circular spigot of 125 or 150 mm diameter with 75 mm length fixed to the side of the diffuser. Inlets of square, rectangular or oval shapes are available on request.
- Exposed surfaces can be painted black (RAL9005) as option to minimize light reflection.
- Volume control dampers are fixed to the spigot connection as per the client's request for effective dampening and to equalize the internal flow along the full length.

- Design flexibility exists to suit different light troffers without projections and interference.
- Available with out insulation, Internal or external insulation as option.
- For accuracy in fabrications as per site condition, please mention light fitting model number and manufacturer's name and details with exact dimensions.





CONSTRUCTION:

Frame: 22 or 20 Gauge galvanized steel sheet.

Spigot: Circular spigot of 125 or 150 mm dia with 75 mm length as standard. Square, rectangular and oval shaped spigots as optional.

Optional accessories:

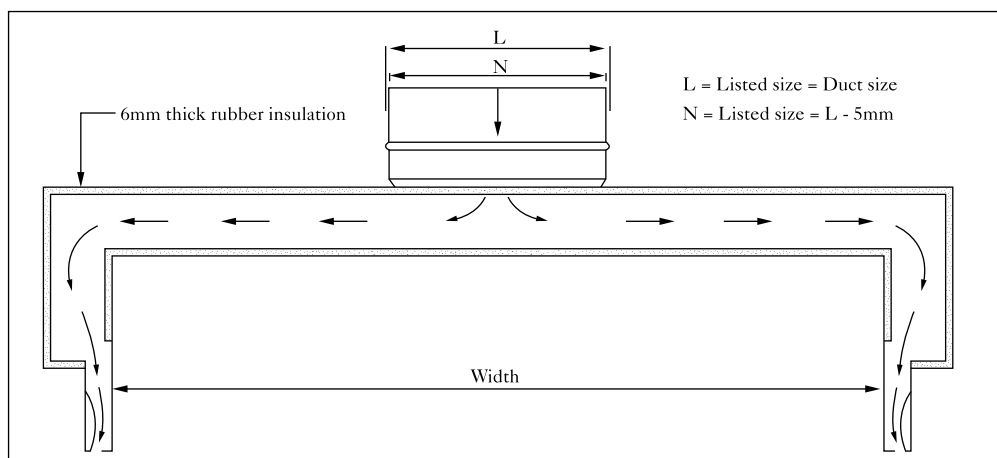
1. Volume control dampers.
2. With internal or external insulation.



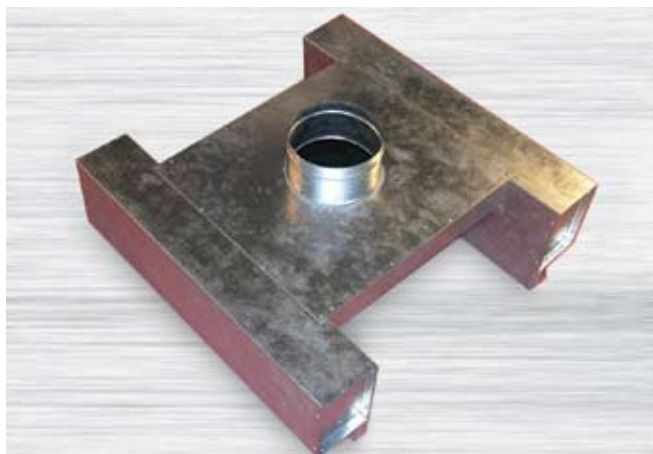
Description:

- Constructed from 22 gauge galvanized steel sheet.
- Circular spigots of 125mm or 150 mm diameter with a standard length of 75 mm are fixed at the top of the diffuser.
- Inlets of square, rectangular or oval shapes with different inlet positions as per site conditions are available on request.
- Air collected from spigot is equally discharged through slots on both sides of the diffuser.
- Exposed surfaces can be painted black (RAL9005) as an option to minimize light reflection.
- Volume control dampers are fixed to the spigot connection as per the client's request for effective dampening and to equalize the internal flow along the full length.
- Design flexibility exists to suit different light troffers without projections and interference.
- Available with out insulation Internal or external insulation as option.
- For accuracy in fabrications as per site condition, please mention light fitting model number and manufacturer's name and details with exact dimensions.

Model ALTE-S:
Construction is same as ALTE-T, with side spigot.



Model: ALTE-T



CONSTRUCTION:

Frame: 22 or 20 Gauge galvanized steel sheet.

Spigot: Circular spigot of 125 or 150 mm dia with 75 mm length as standard. Square, rectangular and oval shaped spigots as optional.

Optional accessories:

1. Volume control dampers.
2. With internal or external insulation.

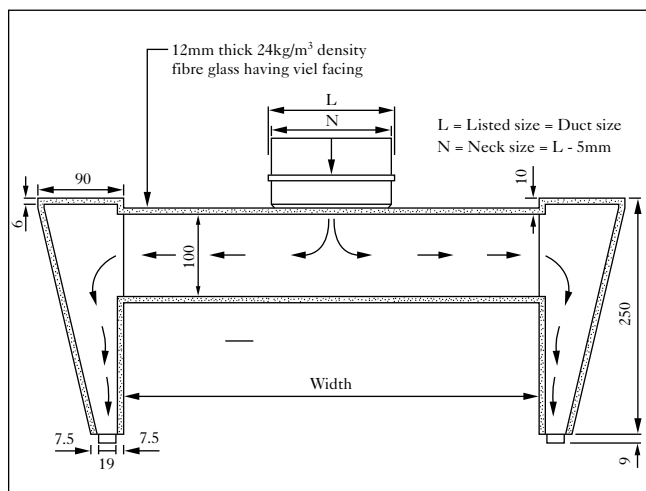
Description:

- Constructed from 22 gauge galvanized steel sheet.
- Circular spigots of 125mm or 150 mm diameter with a standard length of 75 mm are fixed at the top of the diffuser.
- Inlets of square, rectangular or oval shapes with different inlet positions as per site conditions are available on request.
- Air collected from spigot is equally discharged through slots on both sides of the diffuser.
- Exposed surfaces can be painted black (RAL9005) as an option to minimize light reflection.

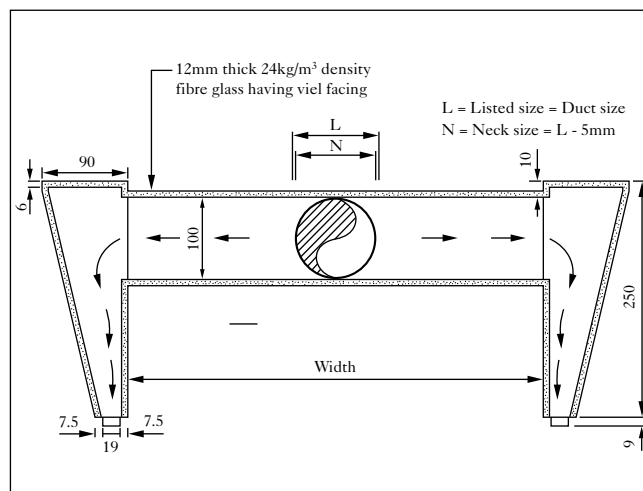
- Volume control dampers are fixed to the spigot connection as per the client's request for effective dampening and to equalize the internal flow along the full length.
- Design flexibility exists to suit different light troffers without projections and interference.
- Available with out insulation, Internal or external insulation as option.
- For accuracy in fabrications as per site condition, please mention light fitting model number and manufacturer's name and details with exact dimensions.

Model ALTD-S:

Construction is same as ALTD-T, with side spigot.



Model: ALTD-T



Model: ALTD-S

DIMENSIONS, INSTALLATION DETAILS & HOW TO ORDER

Standard sizes:

Diffuser sizes corresponding to light troffer:

Model: ALTD

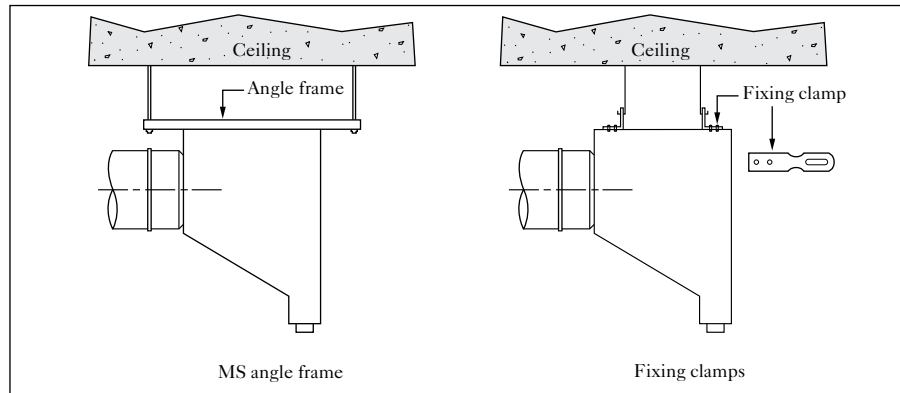
Length of troffer in mm	600	900	1200
Length of troffer diffuser in mm	560	860	1160

Model: ALTD-T & ALTD-S

Length x Width in mm	LIGHT TROFFER DIFFUSER	
	Length (mm)	Width (mm)
300 x 1200	230	1020
600 x 600	530	450
900 x 900	830	735
600 x 1200	530	1020
1200 x 1200	1130	1020

Fixing details:

Model: ALTD



Product Summary:

Model	Product Description	Optional accessories
ALTD	Single side	· Volume Control Damper · Internal or External Insulation
ALTD-T	Double side – Top Inlet	
ALTD-S	Double side – Side Inlet	
ALTE-T	Double side – Top Inlet	
ALTE-S	Double side – Side Inlet	

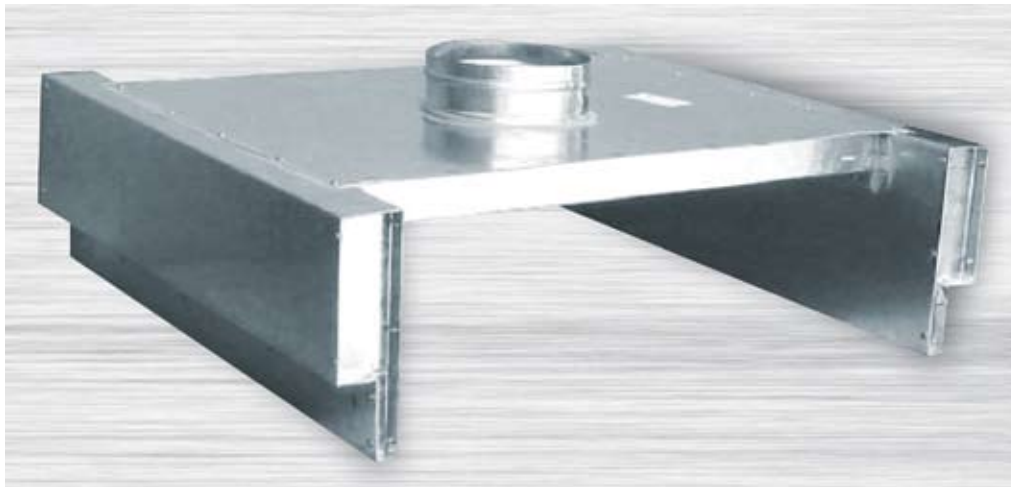
Product order checklist:

- Model number - please refer product summary above.
- Size
- Quantity
- Spigot diameter and shape
- Optional Accessories

Performance data

Model: ALTD-T, ALTD-S, ALTE-T, ALTE-S

AIRFLOW		THROW M	P _s mm (H ₂ O) 150mm inlet	NC
CFM	L/s			
40	18.9	0.30 - 0.90 - 2.40	0.4	-
75	35.4	1.25 - 2.20 - 3.90	1.65	<15
100	47.2	2.10 - 3.0 - 4.80	3.5	19
125	59.0	2.70 - 3.90 - 5.50	4.6	24
150	70.8	3.20 - 4.20 - 5.90	6.7	30
200	94.4	3.60 - 4.60 - 6.40	11.9	37
225	106.2	3.90 - 4.80 - 7.0	15.0	39





air master
ISO 9001 CERTIFIED COMPANY

AIR MASTER EQUIPMENTS EMIRATES LLC.

Post Box - 3180, Ajman, U.A.E.

Tel: +971 6 7436900, 7439600 Fax: +971 6 7436700

E-mail: airmastr@eim.ae, sales@airmaster.ae