

PRESSURE RELIEF DAMPER

model: **APRD-H**

CONSTRUCTION:

Frame: High quality galvanized steel frame with powder coated finish.

Blades: High quality galvanized steel blades with powder coated finish.

Blade supports: Stainless steel blade shaft supported with brass bushes.

Blade seals: Foam gasket for air tightness.



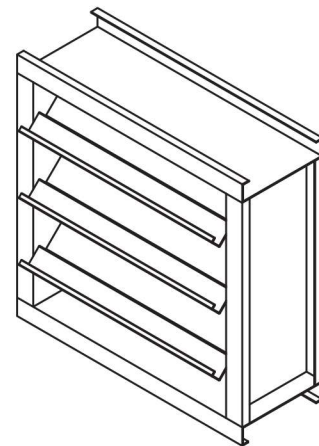
Description:

- The dampers are designed to maintain a constant pressure level inside pressurized room by relieving excess air when it exceeds the desired limit.
- Dampers are tested after fabrication to operate at required pressure
- Pressure relief dampers are provided with weighed metal strip.
- Aluminium blades can be supplied as option or low pressure applications.
- Applications of pressure relief dampers include stair wells, generator rooms, sub stations, tunnels, laboratories, etc.

Standard finishes:

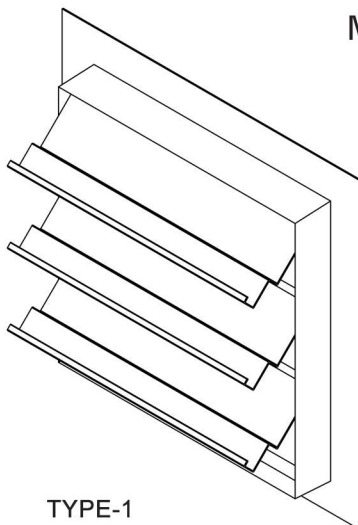
- Powder coated as per RAL colour codes.

Model: APRD-H-D



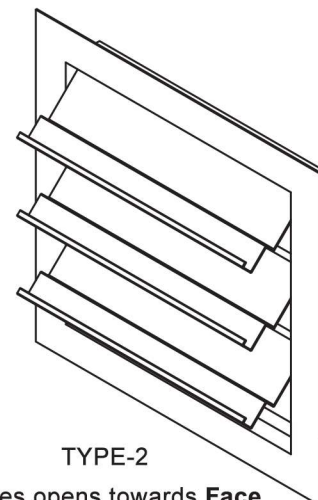
Duct Mounted

Model: APRD-H-W
Wall Mounted



TYPE-1

Blades opens towards **Neck**



TYPE-2

Blades opens towards **Face**